

# WATT Telescoping Valve Rack and Pinion

Standard Valve		
Item	Description	Material
1	Rack cover	clear pvc
2	Scale	aluminum
3	14" handwheel	aluminum
4	Gearbox	aluminum
5	Locking device	stainless steel
6	Floorstand	stainless steel
7	Rack	steel
8	Pinion gear	steel
9	Lift rod	stainless steel
10	Bail	stainless steel
11	Fasteners	stainless steel
12	Slip pipe	stainless steel
13	Flange	cast iron
14	Gasket	neoprene

Purchased Options		
Description	Material	Check "yes"
Offset floorstand	stainless steel	
Wallbracket	stainless steel	
Scumbaffle	aluminum	
18" handwheel	aluminum	
Flange ass'y	stainless steel	
Anchor bolts	304 stainless steel	
Anchor bolts	316 stainless steel	
Scale	mylar	
Scale	stainless steel	
Funnel	stainless steel	Size:
Electric operator		

Contractor to provide the following:

Floor elevation: \_\_\_\_\_

High water elevation: \_\_\_\_\_

Low water elevation: \_\_\_\_\_

Flange elevation: \_\_\_\_\_

Floor thickness: \_\_\_\_\_

Project: \_\_\_\_\_

Contractor: \_\_\_\_\_

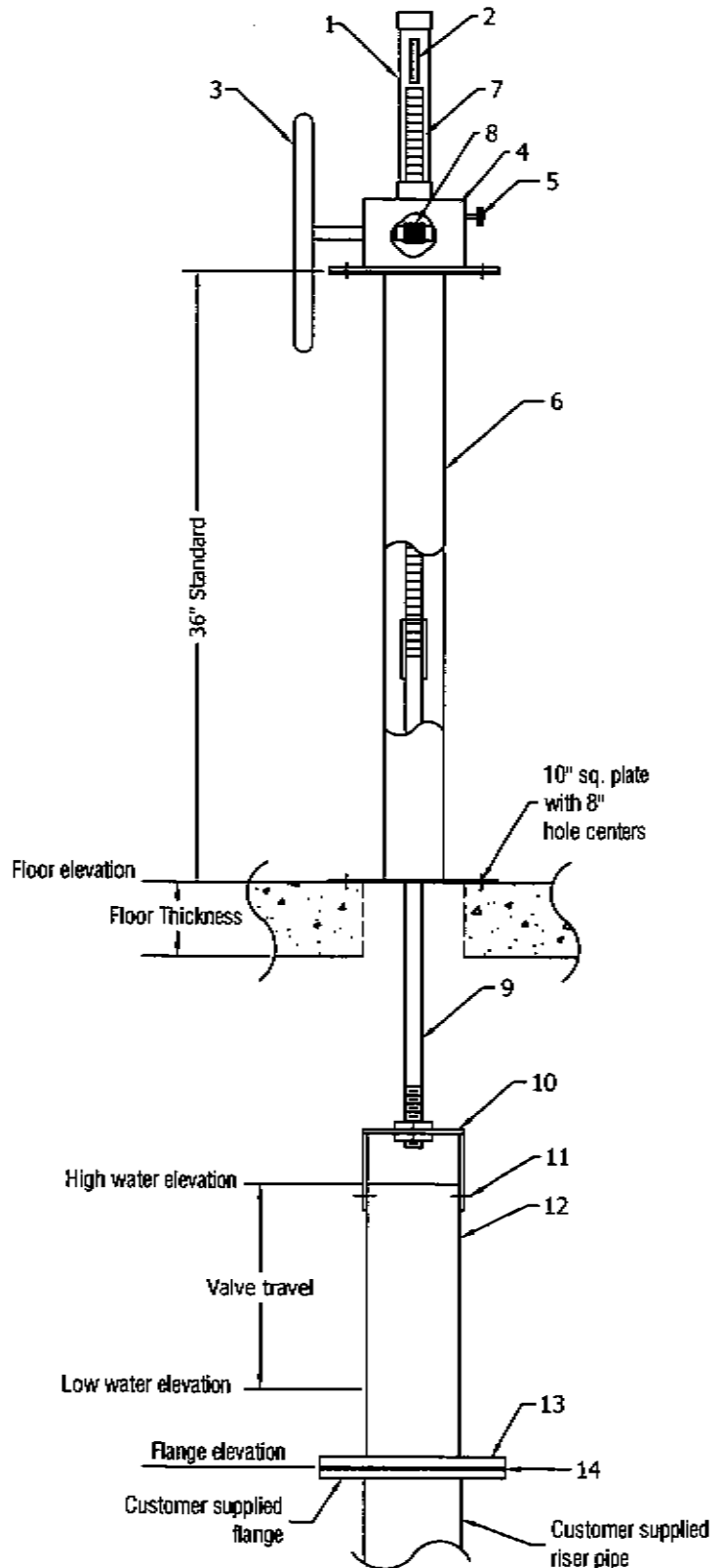
Sales representative: \_\_\_\_\_

Size: \_\_\_\_\_ Qty: \_\_\_\_\_

Latanick Equipment, Inc. Job #: \_\_\_\_\_

\*Approved by: \_\_\_\_\_

Date: \_\_\_\_\_

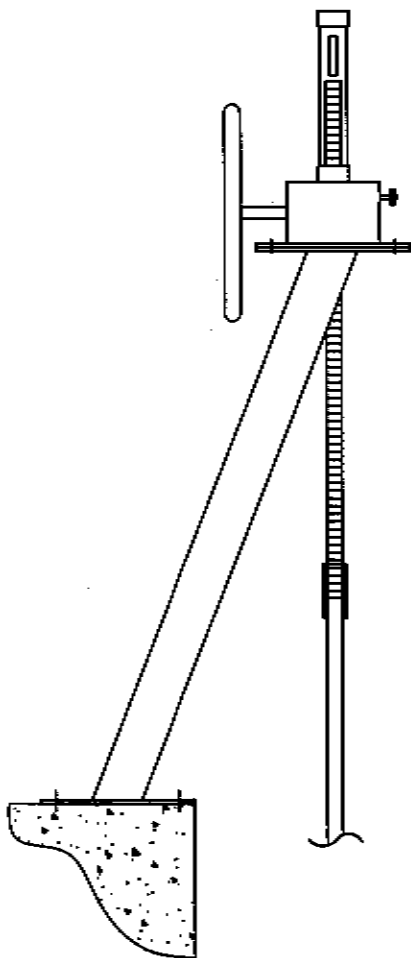


**LATANICK**  
EQUIPMENT, INC.

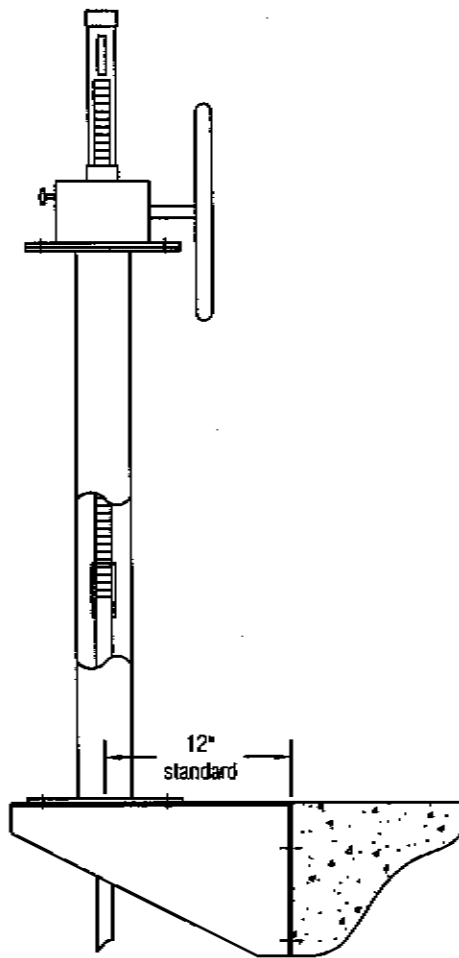
Custom design & machinery builder  
Huron, Ohio Phone: (419)433-2200

# WATT Telescoping Valve

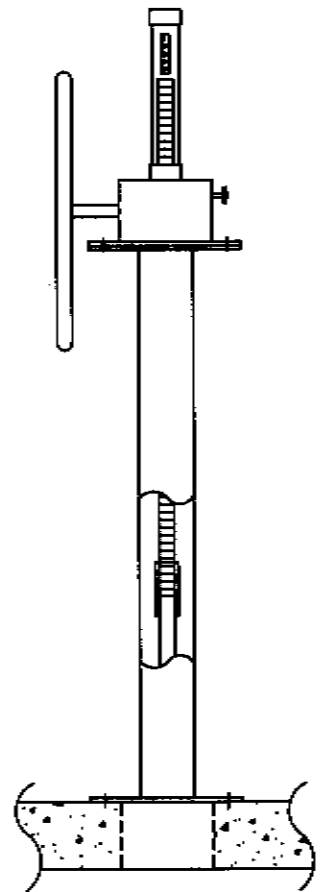
## Rack & Pinion Options



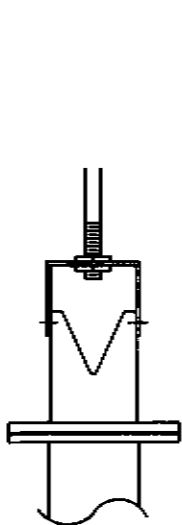
Offset floorstand



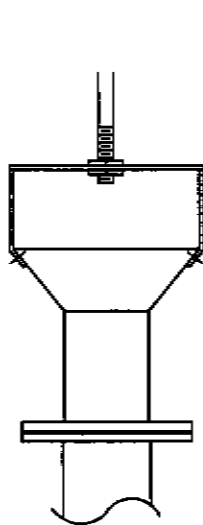
Wallbracket



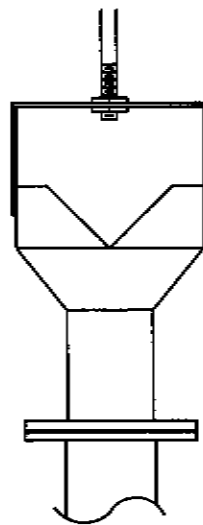
18" Diameter handwheel



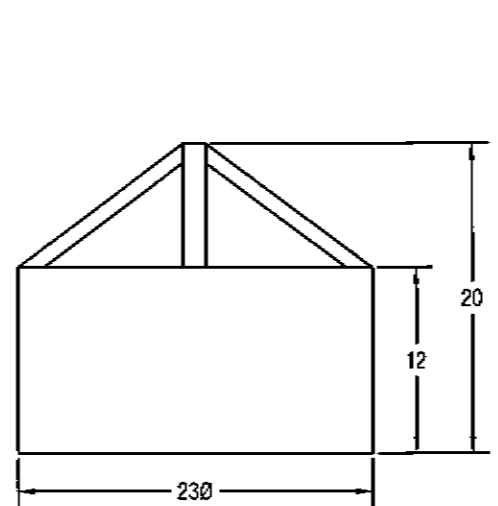
(2) Vee notches  
180° apart



Funnel



Funnel w/vee notches  
180° apart



Scum baffle